

# **PARTS MANUAL**

---

**S40-50-60-70FT S55FTS  
(G187)**

**CUSTOMER EDITION**

---

***HYSTER***



**SECTIONS**

<b>1</b>	<b>FRAME</b>
<b>2</b>	<b>ENGINES (2.2L)</b>
<b>3</b>	<b>ENGINES (2.5L)</b>
<b>4</b>	<b>FUEL SYSTEM</b>
<b>5</b>	<b>ELECTRICAL SYSTEM</b>
<b>6</b>	<b>TRANSMISSION</b>
<b>7</b>	<b>DRIVE AXLE</b>
<b>8</b>	<b>STEERING SYSTEM</b>
<b>9</b>	<b>BRAKE SYSTEM</b>
<b>10</b>	<b>HYDRAULIC SYSTEM</b>
<b>11</b>	<b>MAST-TWO STAGE LIMITED FREE-LIFT</b>
<b>12</b>	<b>MAST-TWO STAGE FULL FREE-LIFT</b>
<b>13</b>	<b>MAST-THREE STAGE FULL FREE-LIFT</b>
<b>14</b>	<b>MAST-FOUR STAGE FULL FREE-LIFT</b>
<b>15</b>	<b>OPTIONS</b>
<b>16</b>	<b>FIELD CONVERSION KITS</b>
<b>17</b>	<b>NUMERICAL INDEX</b>

This Parts Manual is divided into 17 major sections which are listed above. Quick reference to these sections can be made by placing the right thumb on the tab of the desired section, bending the book back and thumbing the pages to the corresponding tab.



**Thanks very much for your reading,  
Want to get more information,  
Please click here, Then get the complete  
manual**

**JustClickHere** 

**NOTE:**

**If there is no response to click on the link above,  
please download the PDF document first, and then  
click on it.**

**Have any questions please write to me:  
[admin@servicemanualperfect.com](mailto:admin@servicemanualperfect.com)**

**TABLE OF CONTENTS**

DESCRIPTION	PAGE
<b>A</b>	
ACCUMULATOR	
TWO AND THREE STAGE FULL FREE LIFT .....	15-10
ADD ON OPTION KITS	
ADD ON OPTIONS	
ADD ON TELEMETRY KITS .....	16-4
AIR INLET	
KUBOTA 2.5L LPG .....	4-30
AIR INTAKE SYSTEM	
AIR FILTER ASSEMBLY .....	4-6
MAZDA 2.2L LPG .....	4-4
MAZDA 2.2L, GASOLINE .....	4-2
PRE-CLEANER AND DUCT .....	4-8
ALTERNATOR AND PULLEY ASSEMBLY	
KUBOTA 2.5L .....	3-46
ARMREST ASSEMBLY	
MINI-LEVER MODULES - SEMI-SUSPENSION SEAT WITH HIP RESTRAINTS .....	1-26
MINI-LEVER MODULES - FULL SUSPENSION SEAT .....	1-28
ASSEMBLED ENGINE	
GASOLINE AND LPG - MAZDA 2.2L .....	2-14
AUXILIARY QUICK DISCONNECT MANIFOLD AND HOSES	
DUAL AUXILIARY WITH E-HYDRAULICS - TWO STAGE LIMITED FREE-LIFT (F507/F562 SERIES MAST (THREE AND FOUR FUNCTION) .....	15-44
SINGLE AUXILIARY WITH E-HYDRAULICS - TWO STAGE LIMITED FREE-LIFT (F507/F562 SERIES MAST) (THREE FUNCTION) .....	15-40
SINGLE AUXILIARY WITH INTEGRAL SIDE-SHIFT AND E-HYDRAULICS - TWO STAGE LIMITED FREE-LIFT (F507/F562 SERIES MAST) (FOUR FUNCTION) .....	15-42
THREE STAGE FULL FREE-LIFT (F508/F563 SERIES MAST) (SINGLE AUXILIARY WITH E-HYDRAULICS) - THREE FUNCTION .....	15-46
THREE STAGE FULL FREE-LIFT (F508/F563 SERIES MAST (DUAL AUXILIARY WITH E-HYDRAULICS)) - THREE AND FOUR FUNCTION .....	15-50
THREE STAGE FULL FREE-LIFT (F508/F563 SERIES MAST) (SINGLE AUXILIARY WITH INTEGRAL SIDE-SHIFT AND E-HYDRAULICS) - FOUR FUNCTION .....	15-48
AUXILIARY SECTIONS, ONE AND TWO	
MANUAL CONTROL VALVE - THREE AND FOUR FUNCTION .....	10-32
AUXILIARY TUBES	
THREE STAGE FULL FREE-LIFT (F508/F563 SERIES MAST) - MANUAL AND E-HYDRAULICS VALVE WITH QUICK DISCONNECT .....	15-36
THREE STAGE FULL FREE-LIFT (F508/F563 SERIES MAST) - MANUAL AND E-HYDRAULICS VALVE WITHOUT QUICK DISCONNECT .....	15-38
TWO STAGE LIMITED FREE LIFT (F507/F562 SERIES MAST - WITH MANUAL AND E-HYDRAULICS VALVE WITHOUT QUICK DISCONNECT .....	15-32
TWO STAGE LIMITED FREE LIFT (F507/F562 SERIES MAST - MANUAL AND E-HYDRAULIC VALVE WITH QUICK DISCONNECT .....	15-34
AUXILLIARY HOSES	
THREE STAGE FULL FREE LIFT - TWO STAGE LIMITED FREE-LIFT .....	10-14
<b>B</b>	
BACK-UP ALARM .....	15-4

**TABLE OF CONTENTS (continued)**

<b>DESCRIPTION</b>	<b>PAGE</b>
BRAKE ASSEMBLY .....	9-8
BRAKE LINKAGE	
DUAL PEDAL .....	9-4
SINGLE PEDAL .....	9-2
<b>C</b>	
CAMSHAFT AND VALVES	
MAZDA 2.2L, GASOLINE AND LPG .....	2-22
CAMSHAFT ASSEMBLY	
KUBOTA 2.5L .....	3-54
CARRIAGE	
FOUR STAGE FULL FREE-LIFT .....	14-20
HEAVY DUTY - THREE STAGE FULL FREE-LIFT .....	13-32
HEAVY DUTY - FOUR STAGE FULL FREE-LIFT .....	14-22
THREE STAGE FULL FREE-LIFT .....	13-30
TWO STAGE FULL FREE-LIFT .....	12-18
TWO STAGE LIMITED FREE-LIFT - F507-F562 .....	11-16
CHARGE PUMP ASSEMBLY .....	6-22
CONTROL VALVE ASSEMBLY	
MANUAL CONTROL - THREE AND FOUR FUNCTION .....	10-24
CONTROL VALVE LOCKOUT GROUP	
MANUAL CONTROL VALVE .....	10-26
CONVERSION KIT	
COOLING SYSTEM	
GASOLINE AND LPG - MAZDA 2.2L .....	2-2
WITH EXTERNAL OIL COOLER - KUBOTA 2.5L LPG .....	3-6
WITHOUT EXTERNAL OIL COOLER - KUBOTA 2.5L LPG .....	3-8
COUNTER/REVERSE CLUTCH	
SINGLE SPEED TRANSMISSION .....	6-20
COUNTERWEIGHT .....	1-2
COVER ASSEMBLY	
KUBOTA 2.5L .....	3-38
COWL ELECTRICAL	
ELECTRO-HYDRAULICS - WITH OPERATOR PRESENCE SYSTEM .....	5-26
MANUAL HYDRAULIC - WITH OPERATOR PRESENCE SYSTEM .....	5-28
COWL MOUNTING .....	1-8
CRANKSHAFT AND PISTON ASSEMBLY	
KUBOTA 2.5L .....	3-34
CRANKSHAFT AND PISTONS	
GASOLINE AND LPG - MAZDA 2.2L .....	2-20
CRANKSHAFT BEARING ASSEMBLY	
KUBOTA 2.5L .....	3-32
CYLINDER BLOCK	
GASOLINE AND LPG - MAZDA 2.2L .....	2-18
CYLINDER BLOCK ASSEMBLY	
KUBOTA 2.5L .....	3-20
CYLINDER HEAD AND COVER	
GASOLINE AND LPG - MAZDA 2.2L .....	2-16

**TABLE OF CONTENTS (continued)**

<b>DESCRIPTION</b>	<b>PAGE</b>
CYLINDER HEAD ASSEMBLY	
KUBOTA 2.5L .....	3-24
CYLINDER HEAD COVER ASSEMBLY	
KUBOTA 2.5L .....	3-26
<b>D</b>	
DIPSTICK TUBE ASSEMBLY	
KUBOTA 2.5L .....	3-29
DISTRIBUTOR	
GASOLINE AND LPG - MAZDA 2.2L .....	5-34
DRIVE AXLE .....	7-2
DRIVE TIRES AND WHEELS	
S40-50FT .....	7-5
S55-60FT .....	7-6
S70FT .....	7-7
<b>E</b>	
ECU ASSEMBLY	
KUBOTA 2.5L .....	3-52
E-HYDRAULIC CONTROL CONVERSION KITS .....	16-3
ELECTRICAL SYSTEM	
CHASSIS .....	5-4
ELECTRONIC PRESSURE REGULATOR ASSEMBLY	
MAZDA 2.2L LPG .....	4-18
ELECTRONIC PRESSURE REGULATOR KIT	
MAZDA 2.2L LPG .....	4-20
EMISSION CONTROL SYSTEM	
MAZDA 2.2L, GASOLINE .....	2-40
MAZDA 2.2L LPG .....	2-38
ENGINE CONTROL MODULE	
MAZDA 2.2L LPG .....	5-31
MAZDA 2.2L, GASOLINE .....	5-30
ENGINE COOLING	
GASOLINE AND LPG - MAZDA 2.2L .....	2-24
ENGINE ELECTRICAL COMPONENTS	
GASOLINE AND LPG - MAZDA 2.2L .....	5-12
ENGINE ELECTRICAL SYSTEM	
GASOLINE AND LPG, SHEET 2 OF 2 - MAZDA 2.2L .....	5-22
GASOLINE, SHEET 1 OF 2 - MAZDA 2.2L .....	5-14
LPG, SHEET 1 OF 2 - MAZDA 2.2L .....	5-18
ENGINE FUEL SYSTEM	
GASOLINE AND LPG - MAZDA 2.2L .....	2-42
ENGINE FUEL SYSTEM AND INTAKE MANIFOLD	
MAZDA 2.2L, GASOLINE .....	2-36
ENGINE MOUNT	
GASOLINE AND LPG - MAZDA .....	2-10
KUBOTA 2.5L LPG .....	3-12
ENGINE SAFETY ELECTRICAL	
MAZDA 2.2L .....	5-38



## TABLE OF CONTENTS (continued)

DESCRIPTION	PAGE
ENGINE WIRE HARNESS AND ATTACHING PARTS	
2.5L KUBOTA LPG - SINGLE SPEED TRANSMISSION .....	5-8
EXHAUST	
GASOLINE AND LPG - MAZDA 2.2L .....	2-8
WITH CATALYTIC CONVERTER - KUBOTA 2.5L LPG .....	3-4
EXHAUST MANIFOLD	
GASOLINE AND LPG - MAZDA 2.2L .....	2-30
EXHAUST MANIFOLD ASSEMBLY	
KUBOTA 2.5L .....	3-44
<b>F</b>	
FAN PULLEY ASSEMBLY	
KUBOTA 2.5L .....	3-51
FENDERS .....	1-13
FIELD KITS	
FIRE EXTINGUISHER .....	15-8
FLANGE BREATHER ASSEMBLY	
KUBOTA 2.5L .....	3-36
FLOORPLATES AND COVERS .....	1-10
FLYWHEEL AND HOUSING	
GASOLINE AND LPG - MAZDA 2.2L .....	2-12
FLYWHEEL AND STARTER	
KUBOTA 2.5L LPG .....	3-16
FLYWHEEL HOUSING	
KUBOTA 2.5L LPG .....	3-14
FORK POSITIONER ASSEMBLY .....	15-26
FORKS .....	1-32
OPTIONAL .....	1-34
FREE-LIFT	
FOUR STAGE FULL FREE-LIFT .....	14-16
TWO STAGE FULL FREE- LIFT .....	12-8
FREE-LIFT CYLINDER	
THREE STAGE FULL FREE-LIFT - F508-F563 .....	13-22
TWO STAGE FULL FREE- LIFT .....	12-15
FREE-LIFT CYLINDER AND ATTACHING PARTS	
THREE STAGE FULL FREE-LIFT - F508-F563 .....	13-18
FREE-LIFT CYLINDERS	
FOUR STAGE FULL FREE-LIFT .....	14-18
FUEL PUMP AND SENDER	
MAZDA 2.2L, GASOLINE .....	4-26
FUEL SUPPLY SYSTEM	
MAZDA 2.2L LPG .....	4-10
MAZDA 2.2L, GASOLINE .....	4-22
FUEL SYSTEM	
KUBOTA 2.5L LPG .....	4-40
MAZDA 2.2L LPG .....	4-12
MAZDA 2.2L, GASOLINE .....	4-24
FUEL SYSTEM HOSES AND ATTACHING PARTS	
MAZDA 2.2L LPG .....	4-14

**TABLE OF CONTENTS (continued)**

<b>DESCRIPTION</b>	<b>PAGE</b>
<b>FUEL SYSTEM SENSORS</b>	
MAZDA 2.2L LPG .....	5-36
MAZDA 2.2L, GASOLINE .....	5-35
<b>FULL SUSPENSION SEAT</b>	
RECLINER AND DAMPER KITS - SHEET 3 OF 4 .....	1-22
SERVICE KITS FOR NON SWIVEL AND SWIVEL - SHEET 2 OF 4 .....	1-20
SWIVEL AND NON SWIVEL - SHEET 1 OF 4 .....	1-18
<b>G</b>	
<b>GEAR CASE ASSEMBLY</b>	
KUBOTA 2.5L - 250 MM FAN HEIGHT .....	3-58
<b>GEAR PUMP ASSEMBLY</b>	
HIGH PRESSURE .....	10-6
LOW PRESSURE .....	10-4
<b>H</b>	
<b>HAND LEVERS</b>	
FOUR FUNCTION - WITHOUT DETENTED LEVERS .....	10-20
FOUR FUNCTION - WITH DETENTED LEVERS .....	10-22
THREE FUNCTION - WITHOUT DETENTED LEVERS .....	10-16
THREE FUNCTION - WITH DETENTED LEVERS .....	10-18
<b>HEADER HOSE</b>	
FOUR STAGE FULL FREE-LIFT - WITH FLOATING SHEAVE .....	14-24
FOUR STAGE FULL FREE-LIFT - WITH HOSE CHANNELS .....	14-28
<b>HEADER HOSE AND ATTACHING PARTS</b>	
TWO STAGE LIMITED FREE-LIFT - F507-F562 .....	11-12
<b>HEADER HOSE CONVERSION KITS</b>	
<b>HEADER HOSES</b>	
TWO STAGE FULL FREE-LIFT - E509-E564 .....	12-20
<b>HEADER HOSES AND ATTACHING PARTS</b>	
THREE STAGE FULL FREE-LIFT - THREE AND FOUR FUNCTION .....	13-26
<b>HOOD</b> .....	1-6
<b>HOSE CHANNELS</b>	
HEADER HOSE - FOUR STAGE FULL FREE-LIFT .....	14-32
<b>HYDRAULIC CONTROL LABELS</b>	
MANUAL CONTROL LEVERS .....	1-40
<b>HYDRAULIC CONTROL VALVE</b>	
E-HYDRAULICS OUTLET SECTION .....	10-48
ELECTRO HYDRAULIC POPPET VALVE - HOIST AND LOWER .....	10-40
ELECTRONIC VALVE ASSEMBLY - THREE AND FOUR FUNCTION .....	10-35
ELECTRONIC VALVE AUXILIARY ONE SECTION - THREE AND FOUR FUNCTION .....	10-44
ELECTRONIC VALVE AUXILIARY TWO SECTION - FOUR FUNCTION .....	10-46
ELECTRONIC VALVE INLET SECTION - THREE AND FOUR FUNCTION .....	10-37
ELECTRONIC VALVE TILT SECTION - THREE AND FOUR FUNCTION .....	10-42
<b>HYDRAULIC CONTROLS</b>	
HYDRAULIC FILTER .....	10-8
HYDRAULIC OIL COOLER KITS .....	16-4
HYDRAULIC SUPPLY AND RETURN .....	10-2

## TABLE OF CONTENTS (continued)

DESCRIPTION	PAGE
<b>I</b>	
IGNITION COIL ASSEMBLY	
KUBOTA 2.5L .....	3-37
INNER MAST	
FOUR STAGE FULL FREE-LIFT .....	14-8
THREE STAGE FULL FREE-LIFT - F508-F563 .....	13-8
TWO STAGE FULL FREE- LIFT .....	12-4
TWO STAGE LIMITED FREE LIFT - F507-F562 .....	11-4
INPUT/FORWARD CLUTCH	
SINGLE SPEED TRANSMISSION .....	6-18
INSTRUMENT CLUSTER .....	5-44
INTAKE MANIFOLD	
MAZDA 2.2L LPG .....	2-32
MAZDA 2.2L, GASOLINE .....	2-34
INTAKE MANIFOLD ASSEMBLY	
AND FUEL SYSTEM - KUBOTA 2.5L .....	3-42
INTEGRAL SIDE-SHIFT	
FORK POSITIONER (F507-F562) - TWO STAGE LIMITED FREE-LIFT .....	15-20
FORK POSITIONER (F508-F563) - THREE STAGE FULL FREE-LIFT .....	15-22
INTEGRAL SIDE-SHIFT CARRIAGE	
FOUR STAGE FULL FREE-LIFT - D515 .....	15-16
THREE STAGE FULL FREE-LIFT - F508/F563 .....	15-18
TWO STAGE FULL FREE-LIFT - E509/E564 .....	15-14
TWO STAGE LIMITED FREE-LIFT - F507/F562 .....	15-12
INTEGRAL SIDE-SHIFT CYLINDER .....	15-24
INTEGRAL SIDE-SHIFT HYDRAULIC HOSES	
FOUR STAGE FULL FREE-LIFT .....	15-31
THREE STAGE FULL FREE LIFT - F508/F563 .....	15-29
TWO STAGE FULL FREE LIFT - D509/E509 AND D564/E564 .....	15-30
TWO STAGE LIMITED FREE-LIFT - F507/F562 .....	15-28
INTERMEDIATE 1 MAST	
FOUR STAGE FULL FREE-LIFT .....	14-4
INTERMEDIATE 2 MAST	
FOUR STAGE FULL FREE-LIFT .....	14-6
INTERMEDIATE MAST	
THREE STAGE FULL FREE-LIFT - F508-F563 .....	13-6
<b>L</b>	
LOAD BACKREST EXTENSION .....	1-30
LOAD WEIGH ELECTRICAL .....	5-48
LPG FUEL GROUP KUBOTA	
PREMIUM LOW FUEL SENSOR - SECTION 1 OF 2 .....	4-32
PREMIUM LOW FUEL SENSOR - SECTION 2 OF 2 .....	4-34
STANDARD LOW FUEL SENSOR - SECTION 1 OF 2 .....	4-36
STANDARD LOW FUEL SENSOR - SECTION 2 OF 2 .....	4-38
LPG TANK BRACKET	
SWING OUT .....	4-42
SWING OUT, DROP DOWN .....	4-44

**TABLE OF CONTENTS (continued)**

DESCRIPTION	PAGE
<b>M</b>	
MAIN LIFT	
FOUR STAGE FULL FREE-LIFT .....	14-10
TWO STAGE FULL FREE- LIFT .....	12-6
TWO STAGE LIMITED FREE LIFT - F507-F562 .....	11-6
MAIN LIFT CYLINDER	
LEFT HAND - FOUR STAGE FULL FREE-LIFT .....	14-12
RIGHT HAND - FOUR STAGE FULL FREE-LIFT .....	14-14
THREE STAGE FULL FREE-LIFT - F508-F563 .....	13-14
TWO STAGE LIMITED FREE LIFT - F507-F562 .....	11-8
MAIN LIFT CYLINDER - LH	
TWO STAGE FULL FREE- LIFT .....	12-13
MAIN LIFT CYLINDER - RH	
TWO STAGE FULL FREE- LIFT .....	12-11
MAIN LIFT CYLINDER AND ATTACHING PARTS	
THREE STAGE FULL FREE-LIFT - F508-F563 .....	13-10
MANUAL VALVE ANTI STALL GROUP .....	10-28
MAST ELECTRICAL .....	5-46
MASTER CYLINDER .....	9-7
MINI LEVER MODULE LABELS	
HYDRAULIC CONTROL FUNCTIONS .....	1-38
MINI-LEVER CONTROLS	
WITH ARMREST - THREE FUNCTION .....	5-40
WITH ARMREST - FOUR FUNCTION .....	5-42
MIRRORS .....	15-7
MISCELLANEOUS KITS .....	16-2
MIXER AND THROTTLE BODY ASSEMBLY	
MAZDA 2.2L LPG .....	4-16
MONOTROL PEDAL ASSEMBLY .....	4-54
<b>N</b>	
NAMEPLATES AND LABELS .....	1-36
<b>O</b>	
OIL COOLER ASSEMBLY	
KUBOTA 2.5L - 250 MM FAN HEIGHT .....	3-45
OIL FILTER ASSEMBLY	
KUBOTA 2.5L .....	3-28
OIL PAN ASSEMBLY	
KUBOTA 2.5L .....	3-22
OIL PUMP AND FILTER	
GASOLINE AND LPG - MAZDA 2.2L .....	2-26
OIL PUMP ASSEMBLY	
KUBOTA 2.5L .....	3-30
OUTER MAST	
FOUR STAGE FULL FREE-LIFT .....	14-2
THREE STAGE FULL FREE LIFT - F508-F563 .....	13-2
TWO STAGE FULL FREE LIFT .....	12-2
TWO STAGE LIMITED FREE-LIFT - F507-F562 .....	11-2

**TABLE OF CONTENTS (continued)**

<b>DESCRIPTION</b>	<b>PAGE</b>
OUTLET SECTION	
MANUAL CONTROL VALVE - THREE AND FOUR FUNCTION .....	10-34
OVERHEAD GUARD .....	1-4
<b>P</b>	
PARK BRAKE .....	9-6
POWER DISTRIBUTION MODULE .....	5-32
<b>R</b>	
RADIATOR ASSEMBLY	
KUBOTA 2.5 LPG .....	3-10
MAZDA 2.2L .....	2-6
RED SEAT BELT RETRACTOR AND BUCKLE .....	15-9
<b>S</b>	
SEAT	
NON SUSPENSION - WITH MANUAL HYDRAULIC CONTROLS .....	1-14
SEMI SUSPENSION - WITH MANUAL AND ELECTRO-HYDRAULIC CONTROLS .....	1-16
SEAT ATTACHING PARTS	
NOT INCLUDED WITH SEAT - SHEET 4 OF 4 .....	1-24
SEAT BELT SWITCH ADAPTER .....	5-6
SEAT CONVERSION KITS .....	16-2
STATOR SUPPORT HOUSING .....	6-16
STEER TIRES AND WHEELS .....	8-11
STEERING AXLE .....	8-8
STEERING COLUMN ASSEMBLY	
NON-ISOLATED .....	8-4
STEERING CONTROL UNIT .....	8-6
STEERING CYLINDER .....	8-10
STEERING SYSTEM .....	8-2
STROBE LIGHT	
LED .....	15-2
<b>T</b>	
THROTTLE BODY AND ATTACHING PARTS	
MAZDA 2.2L, GASOLINE .....	4-28
THROTTLE LINKAGE	
GASOLINE .....	4-47
LPG .....	4-48
THROTTLE PEDAL ASSEMBLY AND ATTACHING PARTS	
MONOTROL .....	4-52
STANDARD PEDAL .....	4-50
TILT CYLINDER AND MAST INSTALLATION .....	10-50
TILT CYLINDERS	
S40-55FT .....	10-52
S60-70FT .....	10-54
TILT/HOIST AND AUXILIARY HOSES .....	10-10
TIMING GEAR COVER AND OIL PAN	
GASOLINE AND LPG - MAZDA 2.2L .....	2-28

**TABLE OF CONTENTS (continued)**

<b>DESCRIPTION</b>	<b>PAGE</b>
TORQUE CONVERTER	
KUBOTA 2.5L LPG .....	3-18
KUBOTA 2.5L LPG .....	6-10
MAZDA 2.2L LPG .....	6-9
TORQUE CONVERTER HOUSING AND ATTACHING PARTS	
SINGLE SPEED - ALUMINUM CHAIN DRIVE .....	6-14
TRANSMISSION COOLING	
KUBOTA 2.5L LPG - SQUARE WAVE WITHOUT EXTERNAL OIL COOLER WITH SINGLE SPEED TRANSMISSION .....	6-6
WITH AIR OIL COOLER - MAZDA 2.2L AND KUBOTA 2.5L LPG .....	6-4
WITHOUT AIR OIL COOLER - MAZDA 2.2L LPG .....	6-2
TRANSMISSION ELECTRICAL SYSTEM .....	5-45
TRANSMISSION HOUSING AND ASSEMBLY	
SINGLE SPEED - ALUMINUM CHAIN DRIVE .....	6-12
TRANSMISSION MOUNT	
SINGLE SPEED - ALUMINUM CHAIN DRIVE .....	6-8
<b>V</b>	
VALVE AND ROCKER ARM ASSEMBLY	
KUBOTA 2.5L .....	3-40
VALVE ASSEMBLY, LIFT AND TILT	
MANUAL CONTROL VALVE - THREE AND FOUR FUNCTION .....	10-30
<b>W</b>	
WATER FLANGE AND THERMOSTAT ASSEMBLY	
KUBOTA 2.5L .....	3-48
WATER PUMP ASSEMBLY	
KUBOTA 2.5L .....	3-50
WIRE HARNESS	
ALTERNATOR TO BATTERY DISCONNECT SWITCH - KUBOTA 2.5L .....	5-90
BACK-UP ALARM .....	15-6
COWL WITH FORWARD/REVERSE LEVER - WITH HYDRAULIC PUMP SOLENOID .....	5-92
COWL WITH FORWARD/REVERSE LEVER - WITHOUT RETURN TO SET TILT .....	5-96
COWL WITH MONOTROL PEDAL - WITH HYDRAULIC PUMP SOLENOID .....	5-100
COWL WITH MONOTROL PEDAL - WITH RETURN TO SET TILT .....	5-104
ELECTRONIC CONTROL VALVE - 3 FUNCTION .....	5-108
ELECTRONIC CONTROL VALVE - 4 FUNCTION .....	5-110
HYDRAULIC OIL COOLER - THREE OR FOUR FUNCTION (OPTIONAL) .....	5-116
LIGHTS .....	5-114
RH CHASSIS - MAZDA .....	5-52
RH CHASSIS - KUBOTA 2.5L .....	5-64
RH CHASSIS WITH SEAT BELT SEQUENCE MODULE - MAZDA 2.2L .....	5-58
RH CHASSIS WITH SEAT BELT SEQUENCE MODULE - KUBOTA 2.5L LPG .....	5-70
TRANSMISSION - SINGLE SPEED .....	5-112
WIRE HARNESS (ENGINE)	
KUBOTA 2.5L LPG .....	5-84
MAZDA GASOLINE .....	5-76
MAZDA LPG .....	5-80

**TABLE OF CONTENTS (continued)**

<b>DESCRIPTION</b>	<b>PAGE</b>
WIRE HARNESS ADAPTER	
LOW FUEL PRESSURE - KUBOTA 2.5L .....	5-88
WIRE HARNESS ASSEMBLY	
KUBOTA 2.5L .....	3-56
WORK, REAR DRIVE, AND BRAKE/TAIL LIGHTS .....	5-50

**ABBREVIATIONS QUICK REFERENCE SHEET**

Listed below are abbreviations used in parts manuals to denote the following expressions:

<b>TERM</b>	<b>DEFINITION</b>	<b>TERM</b>	<b>DEFINITION</b>
Amp	Amperes	FRE	Freezer Environment
AR	As Required	in.	inches
BDI	Battery Discharge Indicators	LPG	Liquefied Petroleum Gas
BWI	Brush Wear Indicator	MAP	Manifold Absolute Pressure
CE	Communicator End	mm	millimeters
CRE	Corrosive Environment	MSTS	Microprocessor Spark Timing System
D/B	Date Break	NPT	National Pipe Threads
dbA	Decibel "A" Scale	O/S	Oversize
DE	Drive End	PTO	Power Take Off
ECH	Empty Container Handler	RPM	Revolutions per Minute
ECH-3	Empty Container Handler - 3 High Stacking	S/N	Serial Number
ECH-4	Empty Container Handler - 4 High Stacking	TMM	Truck Management Module
ECH-5	Empty Container Handler - 5 High Stacking	UL Type D	Diesel-Powered Safety Rating
ECH-6	Empty Container Handler - 6 High Stacking	UL Type DS	Diesel-Powered Safety Rating
ECH-7	Empty Container Handler - 7 High Stacking	UL Type E	Battery-Powered Safety Rating
ECM	Electronic Control Module	UL Type EE	Battery-Powered Safety Rating
ECN	Engineering Change Notice	UL Type ES	Battery-Powered Safety Rating
EEPROM	Electrically Erasable Programmable Read Only Memory	UL Type G	Gasoline-Powered Safety Rating
EPA	US Environmental Protection Agency	UL Type GS	Gasoline-Powered Safety Rating
EPROM	Electrically Programmable Read Only Memory	UL Type LP	Gas-Powered Safety Rating
		UL Type LPS	LP Gas-Powered Safety Rating
		U/S	Undersize
		UL	Underwriters Laboratory
		V	Volts



## HOW TO USE THE ILLUSTRATED PARTS MANUAL

This parts manual describes and illustrates assemblies, subassemblies, and detail parts needed for service replacement.

The different constructions are indicated by keys and footnotes. The callouts correspond to descriptions found on the next page.

**HYSTER** UNIT CODE D001 NORTH AMERICA 06/2001

**TABLE OF CONTENTS**

DESCRIPTION	PAGE
AIR INTAKE AND FILTER DIESEL (⇒ D/B 11/98)	3-22
AIR INTAKE AND FILTER DIESEL (D/B 11/96 ⇒)	
AIR INTAKE AND FILTER GASOLINE AND LPG	
ALTERNATOR GASOLINE, LPG, AND DIESEL	
ALTERNATOR TYPES GS, LPS, AND DS	
AUXILIARY FUNCTION TUBE TWO AND THREE STAGE FULL F	

**SECTION 13 NUMERICAL INDEX**

PART NO.	PAGE NO.	ITEM NO.	PART NO.	PAGE NO.	ITEM NO.	PART NO.	PAGE NO.	ITEM NO.	PART NO.	PAGE NO.	ITEM NO.
142	3-4	19	10-13	25		11-27	29	12-31	12		
12445	3-32	19	10-17	6		11-31	25	16719	3-36	5	
	3-34	1	10-27	11		11-32	37	16751	3-16	27	
			11	11		9-7	9	16849	3-34	21	
			12	6	16485	8-4	29		3-38	20	
			14	13		8-4	45	16863	3-28	17	
			16	6		8-8	34	16865	3-6	18	
			17	17		9-7	9		4-27	41	
			19	10		9-11	17	16882	9-7	30	
			23	46		10-9	21		9-11	27	
			27	46		10-9	28		10-10	36	
			28	14		10-9	28		10-13	32	
			26	14		10-13	16		11-7	24	
			28	14		11-7	19		11-9	17	
			50	14							

**SECTIONS**

- FRAME
- ELECTRICAL SYSTEM
- 
- 
- BRAKE/ACC
- 
- MAST-TWO STAGE
- MAST-THREE STAGE
- MAST-TWO STAGE
- 
- 

**TRANSMISSION HOUSING** ⇒ S/N D001H-2628

KEY:  
A: Diesel  
B: Gasoline and LPG

ITEM	PART NO.	DESCRIPTION	QTY	
			A	B
		Transmission	1	1
	202329	Transmission	1	1
1	2021670	Case	2	2
2	2023418	Bearing Cap	4	4
3	296429	Washer	4	4
4	29394F	Bolt	1	1
5	2021390	Cover	2	2
6	1371656	Colter Pin	4	4
7	2021329	O-Ring	1	1
8	2021915	Plug	4	4
9	2021675	Housing	22	22
10	2021336	Pin	39	39
11	287860	Lockwasher	1	1
12	292682	Hydraulic Pump	1	1
13		⇒ Figure 5-3		
14	2021345	Gasket	1	1
15	214364	Bolt	8	8
16	296418	Washer	1	1
17	2021388	Temperature Switch	1	1
18	2021389	Breather	9	9
19	2021383	Dipstick	9	9
20	292515	Bolt	2	2
21	136692	Nut	3	3
22	292527	Bolt	3	2
23	292531	Capscrew	4	4
24	292583	Lockwasher	4	4
25	293637	Bolt	4	4
26	296420	Washer	1	1
	996403	Transmission Kit (Includes Item 7)	1	1
	996405	Transmission Kit (Includes Item 14)	1	1

This Parts Manual is divided into 11 major sections which are listed above. Quick access can be made by placing the right thumb on the tab of the desired section, bending the pages to the corresponding tab.

© Copy Right Date HYSTER COMPANY See Service Manual for service procedures. 5-15

HP990004

## HOW TO FIND THE DESIRED PART NUMBER

### WHEN THE PART NUMBER AND THE NEXT HIGHER ASSEMBLY IS NOT KNOWN:

1. Determine the function and application of the part required. Turn to the Sections Page. Choose the general area of reference most likely to include the part.
2. Turn to the section you chose. Use the Section Table of Contents to determine the assembly which would normally contain the part required. Then locate the part on the assembly breakdown page.

### WHEN THE PART NUMBER IS NOT KNOWN AND THE NEXT HIGHER ASSEMBLY IS KNOWN:

3. Determine the assembly the required part is used on. Turn to the Table of Contents (Page i).
4. Locate the assembly the required part is used on and turn to the page indicated for that assembly. Then locate the part on the assembly breakdown page.

### WHEN THE PART NUMBER IS KNOWN:

5. Use the Numerical Index (Page 17-1) to find the part number. Turn to the page listed and locate the part as indicated by the item number.

### GENERAL:

The assembly breakdowns include part numbers, descriptions, quantities required, keys and footnotes to help in selecting correct parts.

6. Parts Supersession Information. Part numbers that have this history will be displayed in the parts list in the order that they were superseded (from oldest to newest). The superseded part numbers will be shown with a line through them.

Five periods in the PART NO. column (. . . . .) indicate that the part is either *Not Serviced Separately* or there is a reference to another figure. A figure reference is denoted by a pointing hand followed by a figure number in the DESCRIPTION column (☞ Figure 10)

7. Keys are used to show two or more similar assemblies, RH and LH assembly parts, etc. Select the appropriate key, "A", "B", "C", "D", or "E" and the corresponding quantity column to find the required parts. Two periods in the QTY column (..) indicate that the part is not used for that assembly.
8. Indented descriptions under the DESCRIPTION column are used to indicate assemblies and

subparts of assemblies. In the example on the previous page, *BEARING CAP* (Item 2) is a subpart of the major assembly *CASE*.

9. Quantities shown are for one assembly. The quantities of the subpart *BEARING CAP* are indicated as two and two. This means two per *CASE* assembly.
10. Serial number breaks identify the most current parts information and are shown as follows:
  - **S/N D001H2628**  
Indicates last serial number affected.
  - S/N D001H2629** →  
Indicates the first serial number affected.
  - S/N D001H1553** ↔ **S/N D001H3291**  
Indicates a range of serial numbers affected.

ECN numbers for pending serial numbers are shown to allow for the inclusion of the most current parts information and are identified as follows:

→ **S/N Pending Per ECN 63243**

Indicates a pending serial number for last unit affected.

**S/N Pending Per ECN 63243** →

Indicates a pending serial number for first unit affected.

Date breaks are used to indicate when a change occurred but a subsequent serial number break was not recorded. This is an arbitrary date usually based on the ECN release and are identified as follows:

→ **D/B 3/00**

Indicates that a change occurred sometime within that month for the item affected.

**D/B 3/00** →

Indicates that a change occurred sometime within that month for the item affected.

**D/B 3/00** ↔ **D/B 4/00**

Indicates a range of production dates of the item affected.

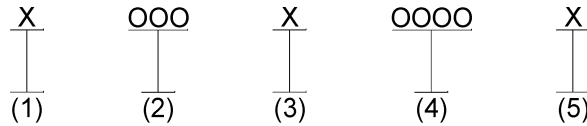
Contact your local dealer for Hyster lift trucks for serial number information for items with a ECN or a date break.

### ORDERING PARTS:

When ordering replacement parts, give the unit serial number, part number, name of part and quantity required.

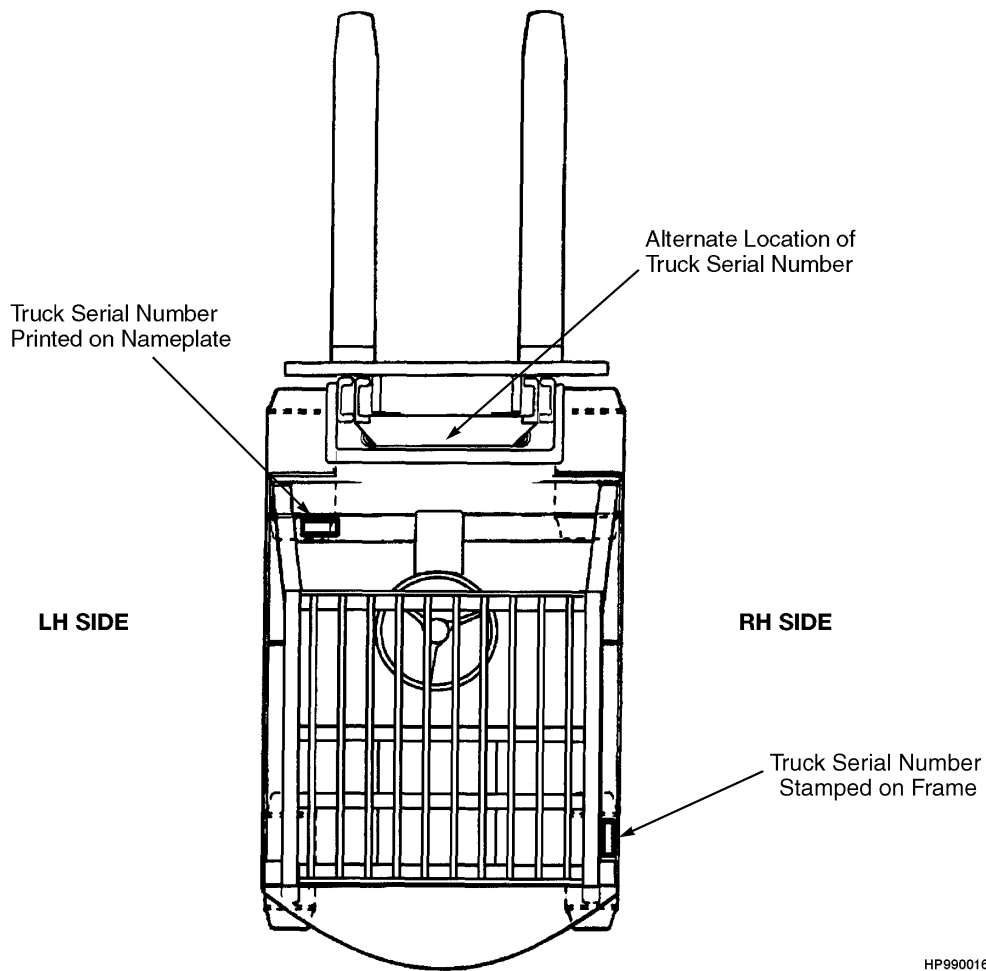
For any further information on parts, service, or ordering, consult your local dealer for Hyster lift trucks.

## IDENTIFICATION OF TRUCK SERIAL NUMBERS

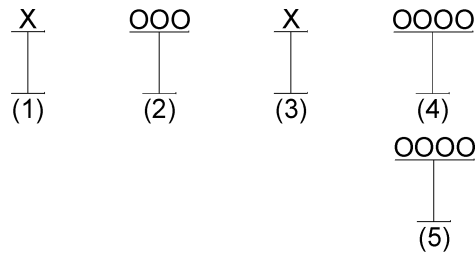


- (1) and (2) The first letter and three numbers indicate the truck unit code.
- (3) The second letter indicates the plant of manufacture.
- (4) The four or five digit number indicates the production sequence number of the truck.
- (5) The final letter indicates the year of manufacture starting with "A" in 1957, 1980, and 2003.  
The letters "I", "O", and "Q" will not be used.

For pending serial numbers contact your local dealer for Hyster lift trucks.



Parts referred to in this book as right or left hand parts are in accordance with the illustration above.

**IDENTIFICATION OF MAST SERIAL NUMBERS**

- (1) and (2) The first letter and number indicates the mast unit code.
- (3) The second letter indicates the plant of manufacture.
- (4) The four or five digit number indicates the production sequence number of the mast.
- (5) Carriage travel in millimeters stamped just below the serial number.

Mast Group identification consists of mast unit code (1) and (2) plus carriage travel (5).

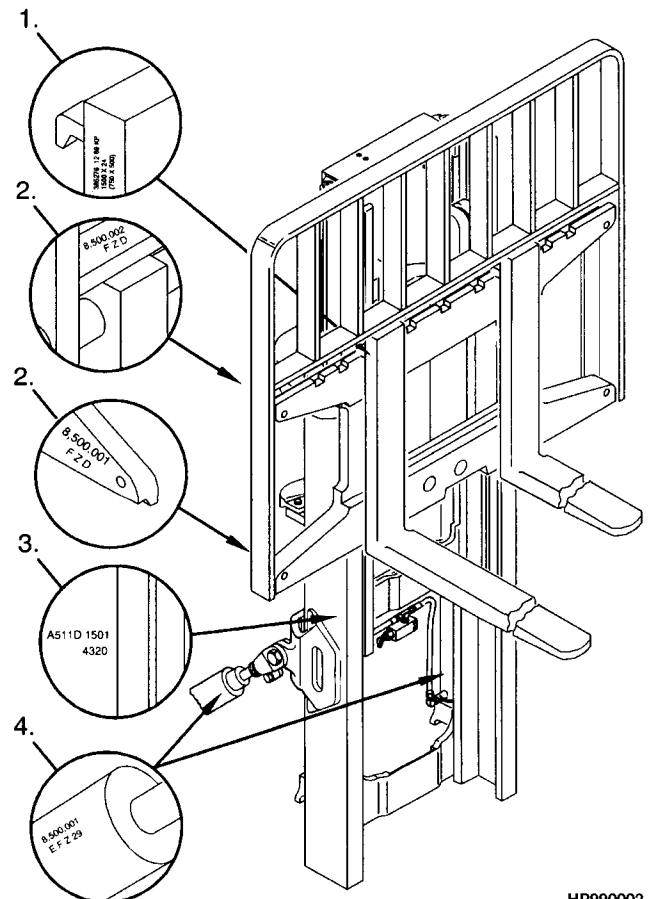
For pending production sequence numbers contact your local dealer for Hyster lift trucks.

**LIFT EQUIPMENT IDENTIFICATION**

1. Fork part number, capacity rating, plant code letter, and date of manufacture are stamped approximately six inches below the top of most forks.
2. The carriage group number is stamped on the right hand side of the top crossmember (pin type) or on the back of the right hand end of the bottom crossmember (hook type). A date code has two letters in line with or below the carriage group number.
3. The mast identification number has a unit code, a letter indicating the plant of manufacture, and a serial number. Underneath the production sequence number is a four digit number that indicates the carriage travel in millimeters.
4. Tilt and lift cylinder group numbers are stamped on the cylinder shell.

Always refer to the group, serial, or part number when ordering service parts.

Modification of masts and carriages by SPED (Special Products Engineering Department) are identified by a model prefix code beginning with the letter "S". contact your dealer for Hyster lift trucks for information on these assemblies.



HP990002